



DRIFTERS AND SPARE PARTS CATALOGUE

Exceed industry standards with advanced techniques to optimize your operations. Trust us for exceptional parts for success.

Contact Us

info@FedMiningSolutions.com

info.ghana@FedMiningSolutions.com

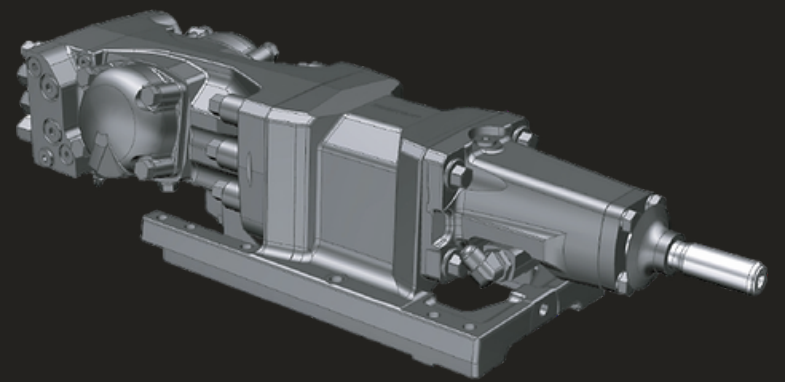


DRIFTERS

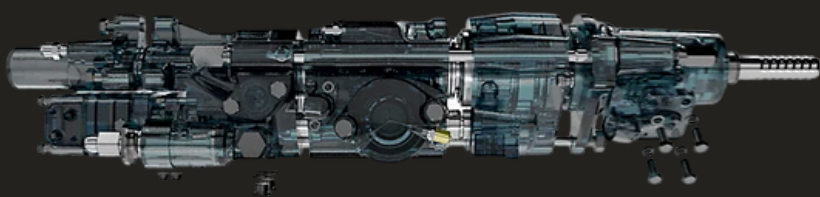
Fed Mining Solutions and Parts distributes all spare parts for underground and surface rock drilling machines in original quality from its state-of-the-art factory equipped with advanced technology.

RANGE

Sandvik
Atlas Copco
Epiroc
Furukawa



Fed Mining Solutions and Parts offers alternative spare parts for rock drills, surface drill rigs, and underground Jumbo drill rigs, catering to brands like Epiroc, Furukawa, Sandvik, etc. Collaborating with a leading company boasting 12 years of experience, Fed Mining Solutions and Parts has a strong presence in the global market for rock drilling machines, supported by its commitment to high-quality service.



Fed Mining Solutions and Parts, dedicated to delivering consistently high-quality products in its field, provides top-notch service by merging robust financial resources with expertise in hydraulic and pneumatic systems.

Contact Us

info@FedMiningSolutions.com

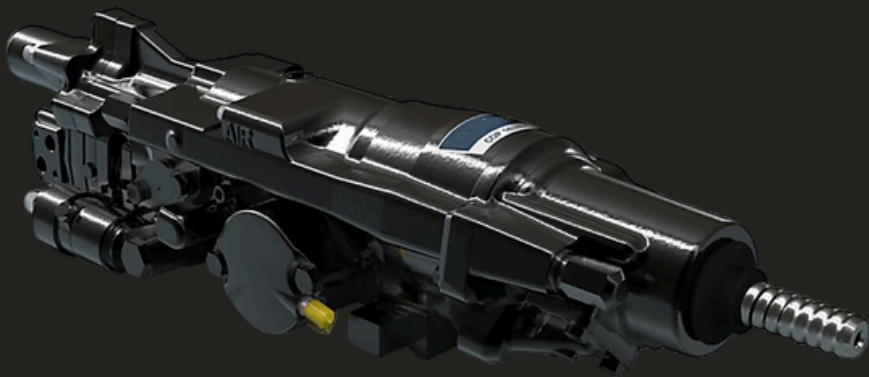
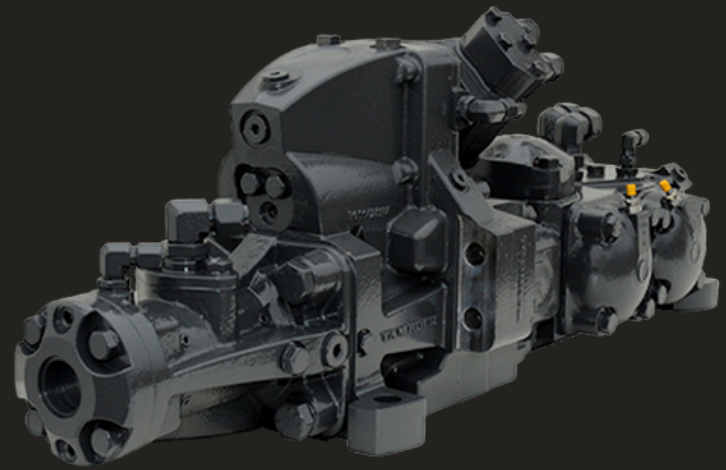
info.ghana@FedMiningSolutions.com

DRIFTERS

As Fed Mining Solutions and Parts, are fully equipped to supply complete drifters as part of our comprehensive offerings.

SANDVIK

HL1560T
HL1060T
HL1010
HL710
HL510
HL300
RD520
RDX5
And more...



EPIROC

COP1025
COP1038
COP1838HD and COP1838HD+
COP1838MUX
And more...

FURUKAWA

HD609
HD715
HD709
HD612
HD712
And more...



Contact Us

info@FedMiningSolutions.com

info.ghana@FedMiningSolutions.com

DRIFTER PARTS

COMPLETE KITS FOR DRIFTERS

PERCUSSION KIT

ROTATION KIT

STABILIZER KIT

BODY KIT

BODY PERCUSSION KIT

FLUSHING KIT

SERVICE KITS



KITS INCLUDES BELOW PARTS;

Seal Kits

Bearing Needle

Bearing Roller

Bearing Sph Roller

Bushing Bearing

Diaphragm

Distributor

Rear Bushing

Seal Housing

Piston/Iidler Wheel

Pin

Rotation Shaft

Coupling

Roataion Bushing

Stabilizer Piston

Stabilizer Piston

Ring

Spacer

Body Rock Drill

Gear Housing

Hyd Motor

Front Cylinder

Rear Cylinder

Rear Cover

Seal kit

Bushing Rear

Screw

Washer

AND MORE...

Contact Us

info@FedMiningSolutions.com

info.ghana@FedMiningSolutions.com

FED

MINING
SOLUTIONS
AND PARTS

DO NOT BUY ANY PARTS BEFORE INQUIRY US.

SPARE PARTS FOR YOUR MACHINES

SPARE PARTS

ELBOW PARTS
CONNECTORS
ADAPTORS
GAUGES
WATER SEALS
WASHERS
BOLTS
VALVES
FILTRES
RINGS
RULL ROPES
PISTONS
GAUGES
SELENOIDS
RUBBER CURVES
PRESSURE SWITCHES
PINS
REPAIR KITS
V-BELTS
THERMOSTATS
AND MORE...



Contact Us

info@FedMiningSolutions.com

info.ghana@FedMiningSolutions.com

FED

MINING
SOLUTIONS
AND PARTS

FED

MINING
SOLUTIONS
AND PARTS

DO NOT BUY ANY PARTS BEFORE INQUIRY US.

HYDRAULIC COMPONENTS

As Fed Mining Solutions and Parts, are fully equipped to supply Hydraulic Components.

SPARE PARTS

Hydraulic Valves

Hydraulic Pumps

Hydraulic Motors

Pumps

Accumulator

Heat Exchanger

Piston Pumps

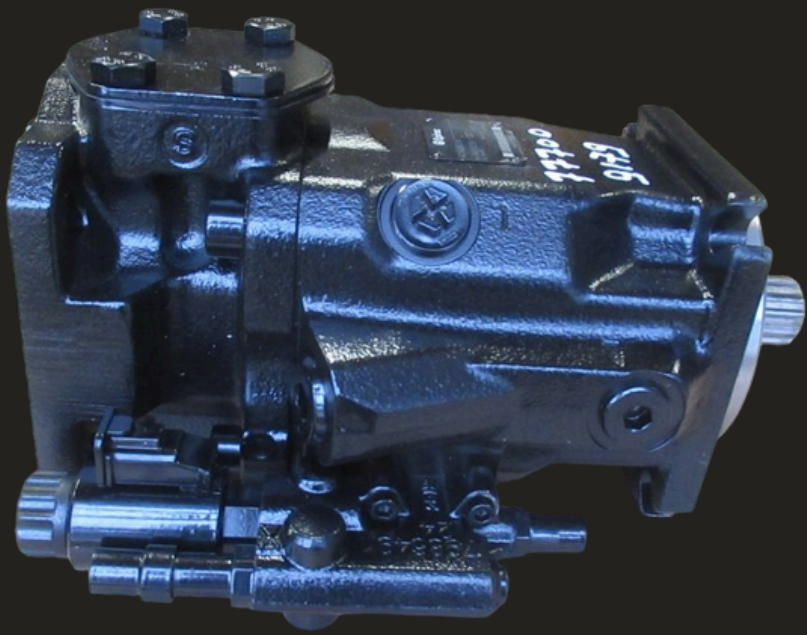
Cylinders

Water Pumps

Hydraulic Accessories

Hydraulic Reservoir

AND MORE...



BRANDS

Epiroc Genuine Parts

Sandvik Genuine Parts

Quality Alternative Parts

AND MORE...

Fed Mining Solutions and Parts:
Technology and expertise at your service,
offering the broadest range and the most
robust guarantee in the market, driven by
our specialization.



Contact Us

info@FedMiningSolutions.com

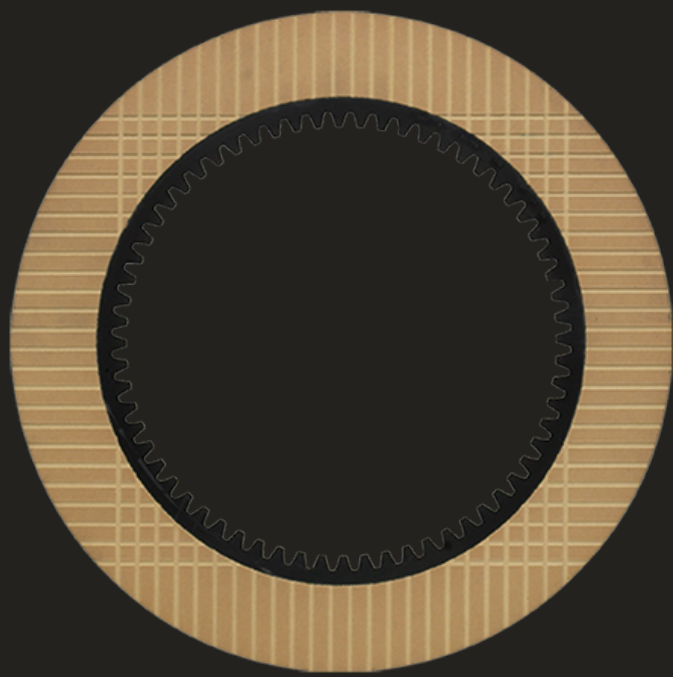
info.ghana@FedMiningSolutions.com

FED

MINING
SOLUTIONS
AND PARTS

Undercarriage, Brake and Final Drive Components

The brake systems for public works and mining machinery are crucial components, as they play a significant role in halting or reducing the machine's movement. These systems largely determine the safety of both the operator and the equipment, guarding against any potential setbacks.



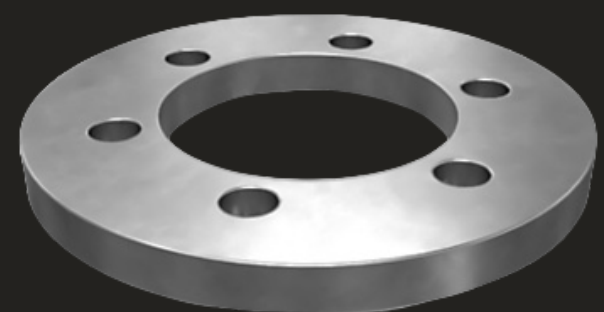
RANGE

- Hydraulic Brake System
- Air or Pneumatic Brake System
- Axel Components
- Parking Brake Components
- Dry Brakes
- Wet Brakes
- Transmission Friction Discs

In the braking process, the energy generated by movement is converted into heat through friction within the brakes. Commonly used brake types include drum, band, or disc brakes.

BRANDS

SANDVIK
EPIROC
CATERPILLAR
KOMATSU
AND MORE...



Contact Us

info@FedMiningSolutions.com

info.ghana@FedMiningSolutions.com

Undercarriage, Brake and Final Drive Components

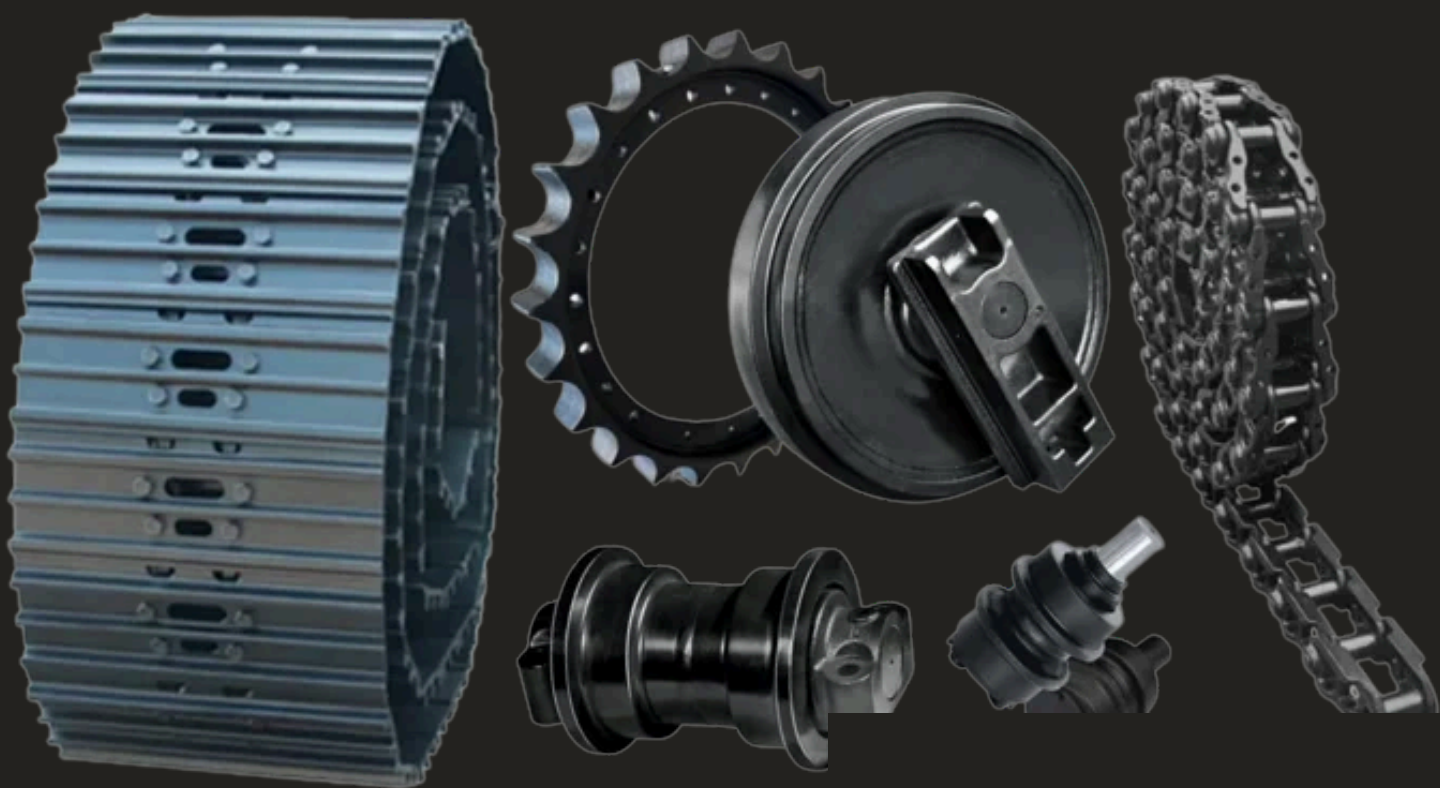
Our undercarriage components are sourced from the world's leading manufacturer, providing unparalleled technical coverage and the most extensive guarantee in the market, ensuring utmost confidence.



RANGE

- Drive sprockets
- Idlers
- Track Shoes
- Track Chains
- Rollers
- Complete Undercarriages

We manufacture both cast and hot-forged sprockets, utilizing induction hardening across the entire tooth profile. Subsequently, they undergo precision processing and drilling in machining centers using CNC machines. This meticulous process is designed to prolong service life and minimize maintenance efforts and expenses.



Contact Us

info@FedMiningSolutions.com

info.ghana@FedMiningSolutions.com

Discover FED Rods



OFFERING

Technical Support

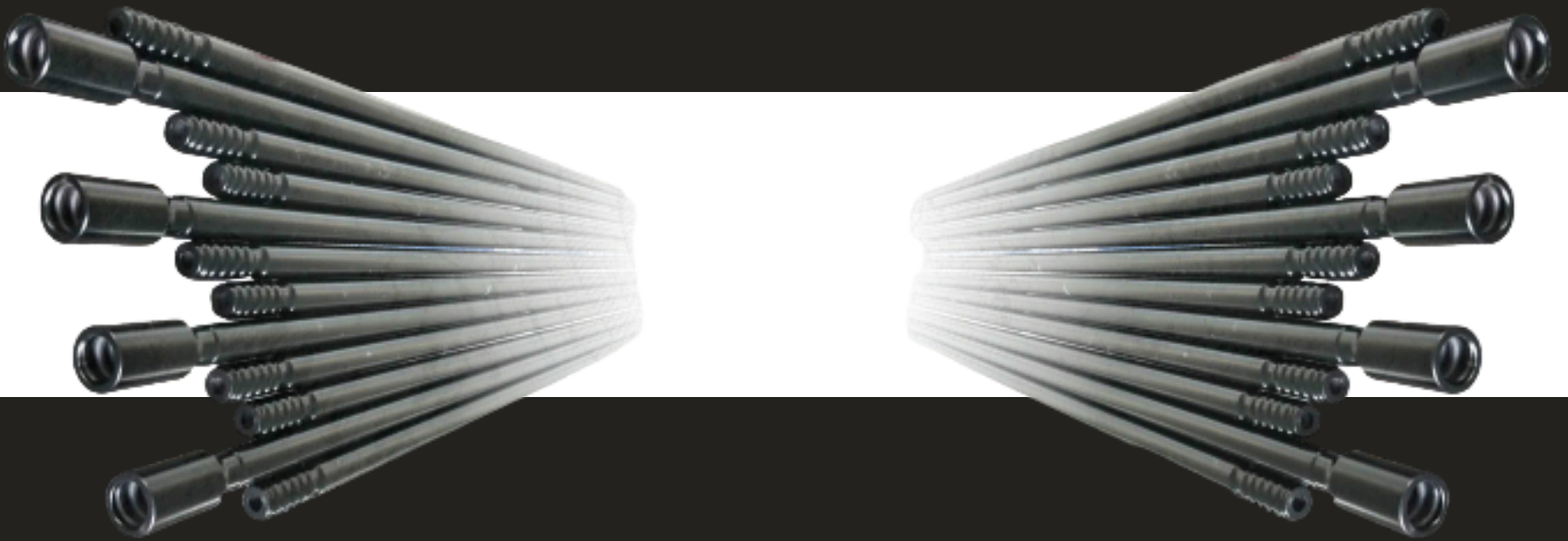
Warranty

Long Usage Time

FED Quality at More than 9

Points in the World

Fed Mining Solutions and Parts Rod products are made from materials such as high quality steel, stainless steel, aluminum, copper and brass. These materials are each specially selected for specific industrial applications and processed on highly precise machinery.



FED maintains strict quality control procedures to ensure its customers receive products of the highest quality. FED Rods are checked at many stages such as material quality, production process and end product testing. In this way, they ensure that customers receive reliable and high-quality products. With its durability and excellent performance, FED Rods are designed to meet the needs of industrial applications and can be customized to meet customers' demands.

Contact Us

info@FedMiningSolutions.com

info.ghana@FedMiningSolutions.com

Discover FED Bits

As a pioneer in tunnel equipment and rock drilling equipment, our company specializes in the production of high quality and durable bits. Our bits are available in a variety of sizes and shapes and are tailored to our customers' needs.



The bits produced by our company can be used in tunnel excavations, mining, ports, dams and many other structures. The design of our bits is optimized to provide high penetration rate and maximum performance. In this way, our customers benefit from the fact that our products provide higher efficiency and lower costs for their business.

OFFERING

- Technical Support
- Warranty
- Long Usage Time
- FED Quality at More than 9 Points in the World



Contact Us

info@FedMiningSolutions.com

info.ghana@FedMiningSolutions.com

Shank Components

OFFERING

Technical Support

Warranty

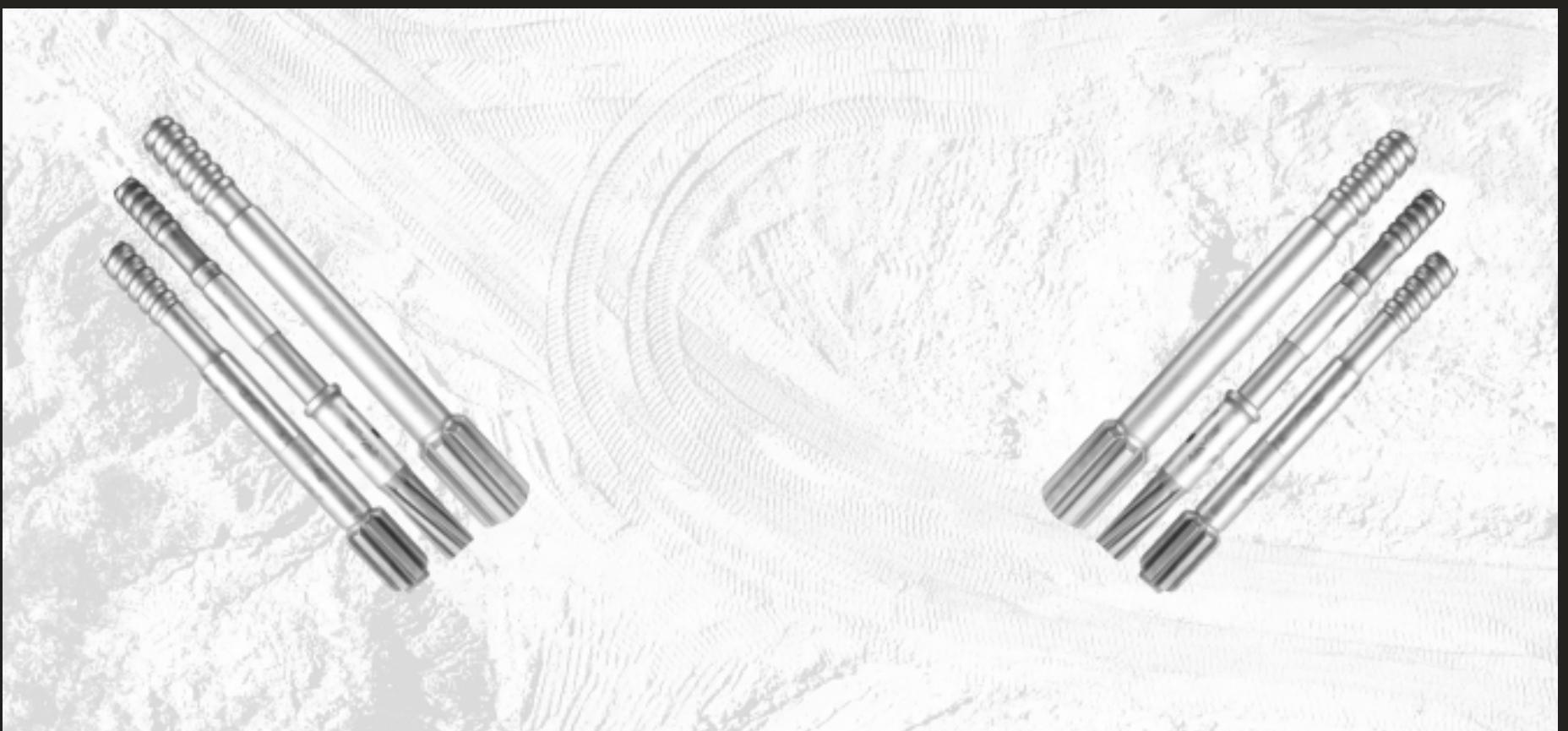
Long Usage Time

FED Quality at More than 9

Points in the World



FED's shanks are also known for their durability and longevity. They are specially designed for high performance and built to withstand heavy workloads. The materials of the shanks are selected from high quality materials such as high strength steels and hard alloys. Thanks to this, Shank performs best even under various soil types and harsh conditions. FED's quality standards allow it to stand out in the industry by offering products that meet the needs of customers.



Contact Us

info@FedMiningSolutions.com

info.ghana@FedMiningSolutions.com

CONSUMABLES

FULL RANGE OF ACCESSORIES ARE AVAILABLE TO MAINTAIN A HIGH LEVEL OF PRODUCTIVITY:

- Bit adapters
- Guide adapters
- Split set drivers
- Nut drivers
- Adapter couplings
- Recovery tools

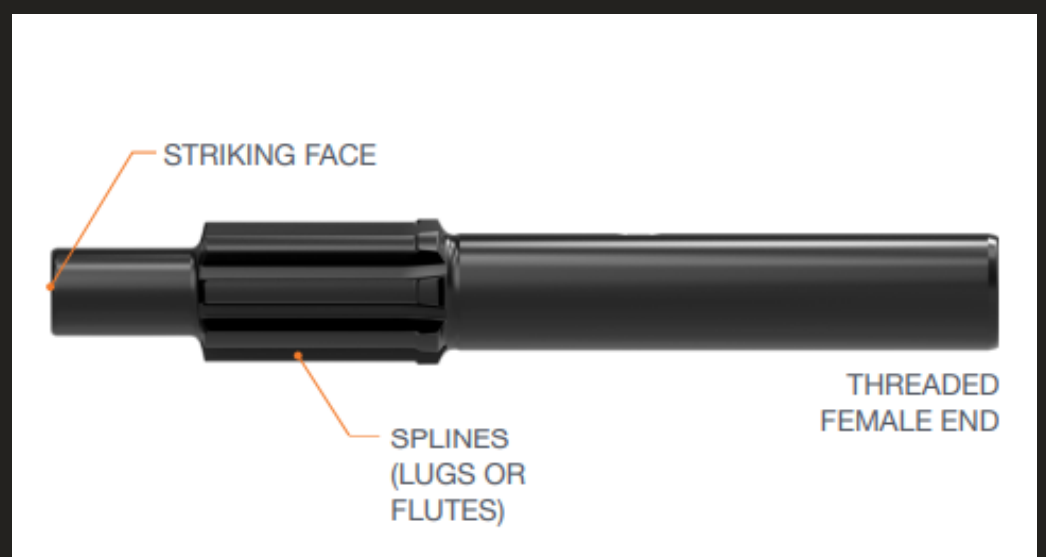


Male Shank Adapters

Generally better suited for drifting, tunneling and extension applications where high bending stresses are present.

Female Shank Adapters

Used when the drilling space is limited and the total feed length is important (i.e., underground roof bolting).

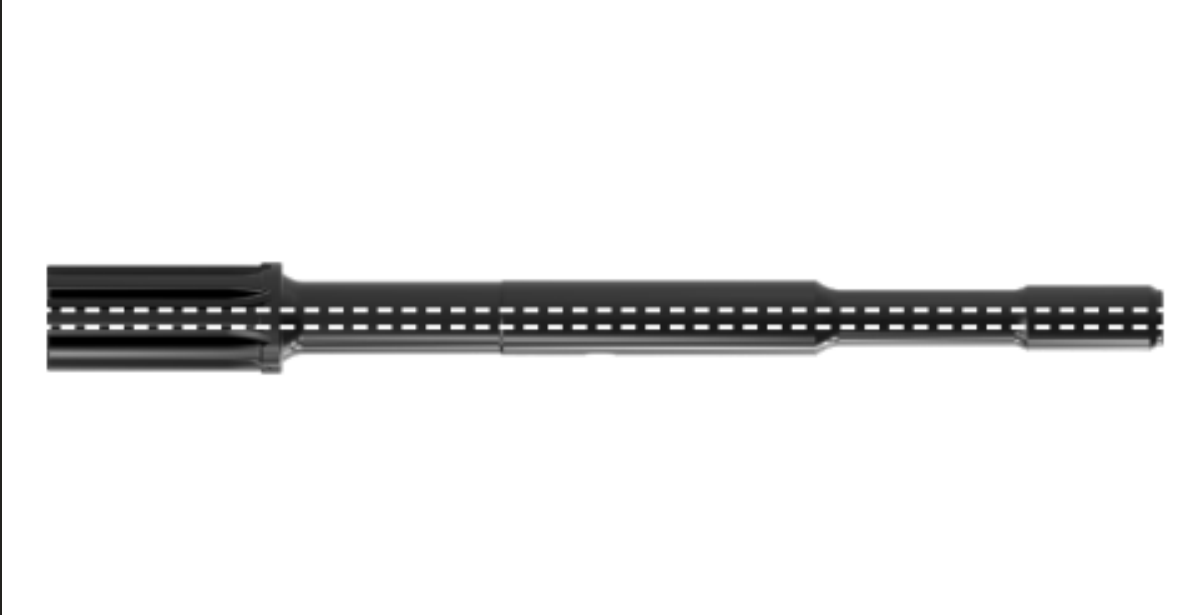


Contact Us

info@FedMiningSolutions.com

info.ghana@FedMiningSolutions.com

CONSUMABLES



Internal Flushing

Uses a water tube that fits through the centre of the drill and into an o-ring seal in the end of the shank, to transfer flushing into the drill string.

External Flushing

Holes or a slot are required in the side of the shank adapter. These line up between seals inside the front head or water box of the rockdrill when the shank is installed. Flushing medium is supplied directly to this device and is introduced into the drill string through the shank.



Contact Us

info@FedMiningSolutions.com

info.ghana@FedMiningSolutions.com



FED

MINING
SOLUTIONS
AND PARTS

LET'S CONNECT WITH US

We value the opportunity to connect and engage with our clients, partners, and industry enthusiasts. Your feedback and inquiries are important to us. Feel free to reach out through the following channels:



TURKEY HEAD OFFICE

Zumrut Mah.2031Sok.No:12/3 Denizli/Turkiye

Info@FedMiningSolutions.com



+90 5061208706



GHANA OFFICE / CSA LIMITED

Office # 3, 1st floor, Bethel House, East Legon Hills Accra, Ghana

info.ghana@FedMiningSolutions.com

Whether you have questions about our services, want to explore potential partnerships, or simply want to stay updated on industry trends, we look forward to hearing from you. Connect with **FED Mining Solutions and Parts** for a collaborative and informed journey in the heavy machinery and mining sectors.

FED Mining Solutions and Parts



Do Not Buy Any Parts Before Inquiry us.